



Endura Flap Door Mount

Congratulations on your purchase of one of the finest pet doors made, featuring the exclusive Endura Flap.™



Installation Instructions For Single and Double Flap Models

PARTS LIST

For single flap door mounts:

1 flap frame • 1 trim frame
4x 1-3/4 inch screws • 4x 2-1/4 inch screws

For double flap door mounts:

2 flap frames • 4 tunnel pieces • 1 tube of silicone
4x 2-1/4 inch screws • 4x 2-3/4 inch screws

For both single and double flap door mounts:

1 installation template • 8 hole plugs
2 weather-strips • 1 warranty card

TOOLS REQUIRED

Pencil
Drill with
3/8 inch drill bit
Level
Jigsaw or reciprocating saw
Phillips head screwdriver

Please read instructions thoroughly before beginning installation.

For expert installation help, replacement flaps and parts or other quality pet door products, visit

PetDoors.com

or call **800-826-2871**

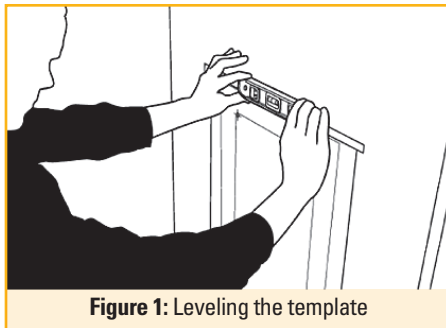


Figure 1: Leveling the template

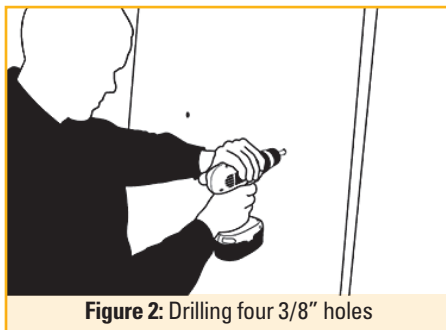


Figure 2: Drilling four 3/8" holes

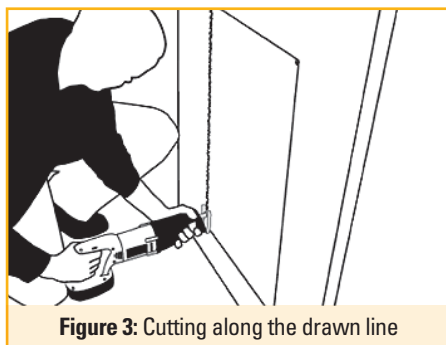


Figure 3: Cutting along the drawn line

Instructions

1. Tape the provided template to the door. The top edge of the cut-out line should be 1-1/4 inch (or more) above the dog's withers (shoulders) for the single flap door mount, and 2 inches for the double flap door mount. Be careful not to unduly reduce the strength of the door by cutting too close to the bottom of the door. Level the top edge of the cut-out line as shown in Figure 1.
2. Mark the hole centers for the four holes and remove the template.
3. Drill the four 3/8 inch holes as shown in Figure 2. **Note:** Drill bit needs to be long enough to go through the interior and exterior of the door. It should be both level and straight when making the holes to ensure the two frames will align properly.
4. Draw lines to connect the outsides of the holes using a straight edge as shown on the template.
5. Cut along the line as shown in Figure 3. **Note:** Jigsaw needs to be level and straight when cutting the lines to ensure the two frames will align properly.
6. Install the weather-stripping into the groove on both frames with the start/end gap at the bottom.
7. If a single flap door mount, place the pet door trim frame on the outside of the door and the flap frame on the inside and skip to Step 14.
8. If a double flap door mount, assemble the four-piece tunnel by first bending the screw tabs down as shown in Figure 4 in the top and bottom tunnel pieces (the two identical shorter pieces). **Note:** Only bend the tabs once, bending more than once may result in the tabs breaking off.

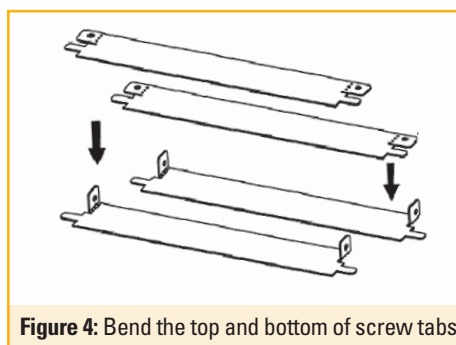


Figure 4: Bend the top and bottom of screw tabs

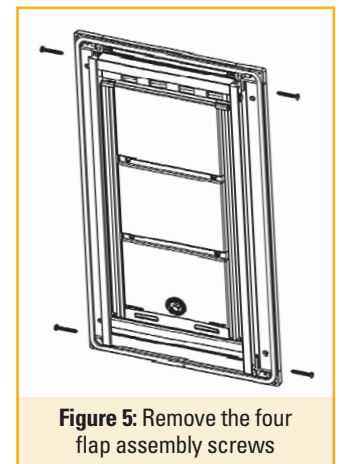


Figure 5: Remove the four flap assembly screws

Installation Instructions Continued

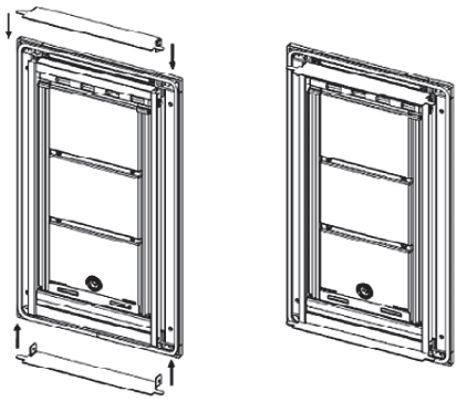


Figure 6: Align the top and bottom pieces and screw into place

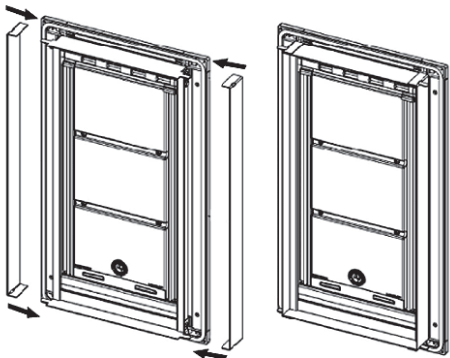


Figure 7: Push on the tunnel sides



Figure 8: Screw together your door mount

9. Remove the screws in the four corners of the flap frame assembly as shown in Figure 5.
10. Place the top piece on, with the bent tabs down and align the top piece so the holes in the tabs lines up with the screw holes in the flap frame and screw in as shown in Figure 6. Repeat for the bottom piece.
11. Slide in the tunnel side pieces as shown in Figure 7.
12. Bend the tabs down with your thumb or a screwdriver handle.
13. Place the flap frame with the tunnel attached on the inside and the other flap frame outside.
14. Select the 2-1/4 inch set of screws for 1-3/4 inch doors and the shorter set for 1-3/8 inch doors. Insert these into the pet door from the inside. For doors with a thickness of less than 1-3/8 inch, see special instructions. For doors between 1-3/4 inch and 2-1/4 inch with the double flap door mount, use the 2-3/4 inch screws.
15. Start all four screws as shown in Figure 8, but do not tighten.
16. Before tightening down the screws, check that the pet door is level and adjust as needed.
17. Tighten the screws until the weather-stripping compresses and the pet door touches the door. Do not over tighten.
18. Hammer the hole covers into the frame using the wooden end of a hammer (or similar non metal tool).
19. For double flap door mounts, apply silicone along the inside of the tunnel where it mates with the flap frames to seal your pet door from the elements. Failure to seal your pet door can lead to severe water damage.



For expert installation help, replacement flaps and parts or other quality pet door products, visit

PetDoors.com or call

800-826-2871 (Press 2)

Monday – Friday • 7:00 a.m. – 4:30 p.m. PST